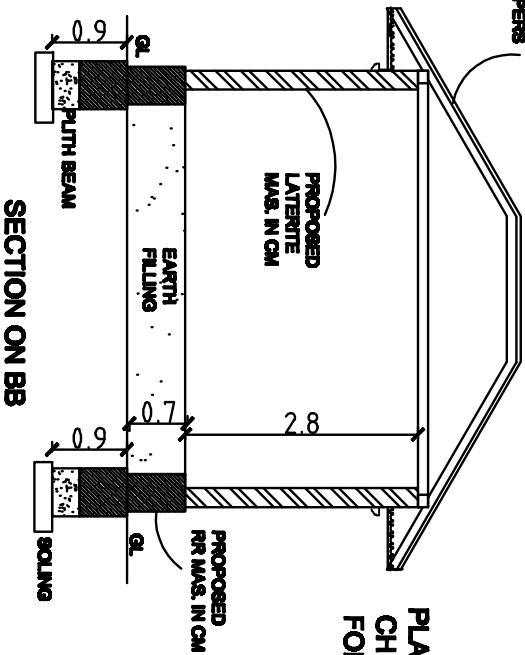
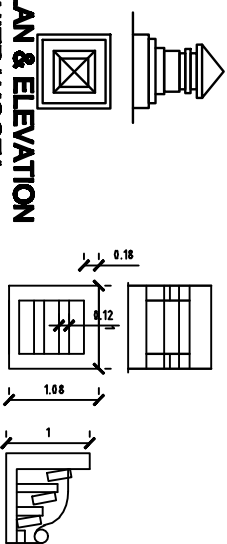


PROPOSED
MORE TILED ROOFING
OVER BCH RAFTERS &
RIEAFERS



**PLAN & ELEVATION
CHITRAKOOTA
FOR NAGALAYA**

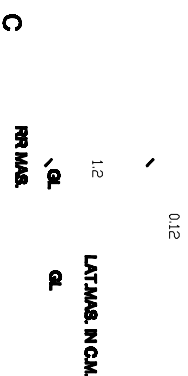
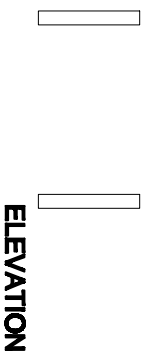
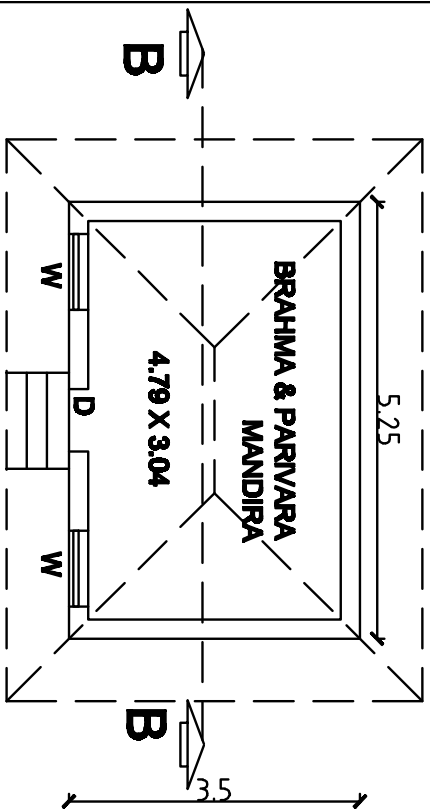
**PLAN ELEVATION & SECTION OF
AROODHA
FOR NAGALAYA**



**PROPOSED RECONSTRUCTION OF
OF SRI NAGA BRAHMA PARIVARA MANDIRA
IN S. NO.....IN VILLAGE
CHANTHAR, IN UDUPI TA, & DIST.**

ENGINEER

SANCTIONING AUTHORITY



PLAN ELEVATION AND SECTION